

Light Towers - Compact Vertical Mast

Light Towers



**WACKER
NEUSON**
all it takes!



Versatile light towers deliver exceptional lighting

The LTV6 and LTV8 light towers combine the features and performance of traditional light towers in a small footprint. They are ideally suited for illuminating general job sites, site prep, concrete pours, specialty events, parking lots, road work and bridge work. The adjustable vertical mast extends 23 feet and can rotate 360 degrees for optimum lighting flexibility.

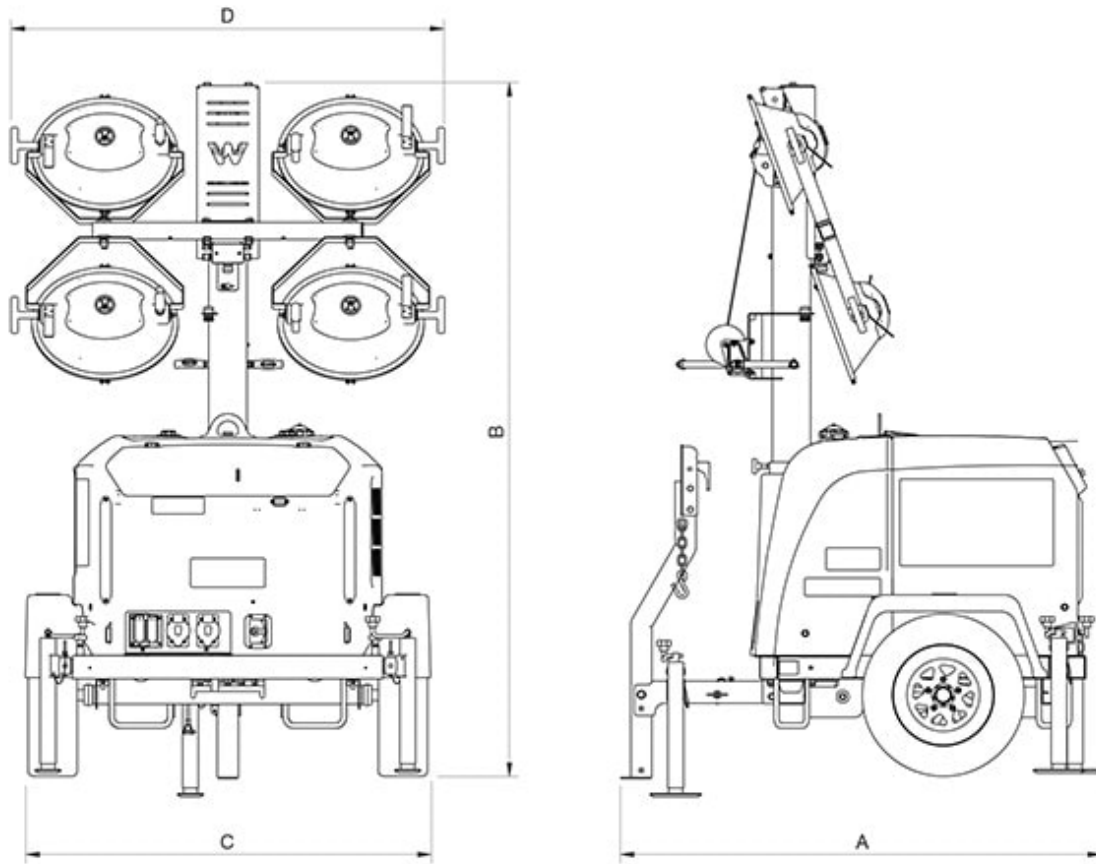
- Compact design and foldable tongue allow transportation of up to 18 units on a 48 foot flatbed truck. Additionally, less space is taken up on site and in rental yards.
- Extended service intervals lowers cost of ownership: 1,000 hours for Kubota engine and 750 for Kohler engine.
- Fast set-up times and a 45-gallon fuel tank extends lighting time to over 95 hours.
- Available with either Kohler (KDW1003) or Kubota (D1005 or D1105) engines. All models feature a Mecc Alte generator end.
- Four 1,100 Watt metal halide lights standard, with LED

optional, provide lighting for any application.

Light Towers - Compact Vertical Mast Technical specifications

| | LTV6L | LTV6K | LTV8K | LTV6K LED |
|--|--------------------------|--------------------------|--------------------------|--------------------------|
| Operating data | | | | |
| L x W x H in | 101 x 58 x 99 | 101 x 58 x 99 | 101 x 58 x 99 | 101 x 58 x 99 |
| Operating weight lb | 1,760 | 1,790 | 1,790 | 1,790 |
| Shipping weight lb | 1,430 | 1,460 | 1,460 | 1,460 |
| Illumination coverage at 5 fc (54 lux) ft ² | 9,230 | 9,230 | 9,230 | 5,396 |
| Lamp type | Metal Halide | Metal Halide | Metal Halide | LED |
| Mast height ft | 23 | 23 | 23 | 23 |
| Sound level (LwA) at 23 ft (7 m) dB(A) | 67.9 | 68.3 | 70.1 | 68.3 |
| Power kW | 6 | 6 | 8 | 6 |
| Frequency Hz | 60 | 60 | 60 | 60 |
| Voltage V | 120 | 120/240 | 120/240 | 120/240 |
| Power factor cos Φ 1~ | 1 | 1 | 1 | 1 |
| Engine / Motor | | | | |
| Generator model | Brushless | Brushless | Brushless | Brushless |
| Generator insulation (class) | H | H | H | H |
| Idle to full load % | 10 | 10 | 10 | 10 |
| Voltage control (+/-) % | 6 | 6 | 6 | 6 |
| Engine / Motor manufacturer | Kohler (LDW1003) | Kubota (D1005) | Kubota (D1105) | Kubota (D1105) |
| Engine / Motor type | Liquid-cooled 3-cylinder | Liquid-cooled 3-cylinder | Liquid-cooled 3-cylinder | Liquid-cooled 3-cylinder |
| Fuel type | Diesel | Diesel | Diesel | Diesel |
| Displacement in ³ | 62.7 | 61.1 | 68.5 | 68.5 |
| Operating performance hp | 12.2 | 13.1 | 15.4 | 15.4 |
| at rpm rpm | 1,800 | 1,800 | 1,800 | 1,800 |
| Rated performance | ISO 3046 IFN | ISO 3046 IFN | ISO 3046 IFN | ISO 3046 IFN |
| Tank capacity (Oil) US qt | 4 | 5.4 | 5.4 | 5.4 |
| Tank capacity (Fuel) US gal | 45.8 | 45.8 | 45.8 | 45.8 |
| Fuel consumption (Prime Load) US gal/h | 0.72 | 0.68 | 0.79 | 0.68 |
| Runtime 100% Prime Load h | 60.5 | 64.3 | 55.7 | 64.3 |
| Runtime 4 Lights Only h | 98.8 | 104.3 | 106.8 | 136.9 |

Light Towers - Compact Vertical Mast Dimensions



| | | |
|---|---------------------------------|----------|
| A | Length with tongue up | 67 in |
| A | Length with tongue down | 101 in |
| B | Mast height retracted | 8.2 ft |
| B | Mast height extended | 23 ft |
| C | Width with outriggers retracted | 58 in |
| C | Width with outriggers extended | 118.5 in |
| D | Width | 62 in |

Please note: that product availability can vary from country to country. It is possible that information / products may not be available in your country. More detailed information on engine power can be found in the operator's manual; the stated power may vary due to specific operating conditions. Subject to alterations and errors excepted. Applicable also to illustrations.
 Copyright © 2019 Wacker Neuson SE.